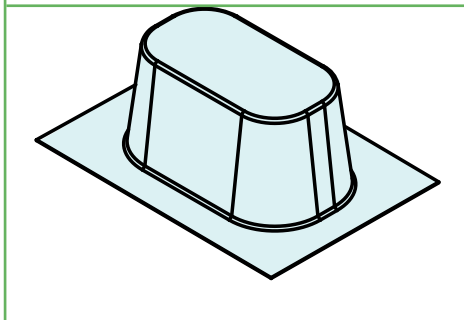
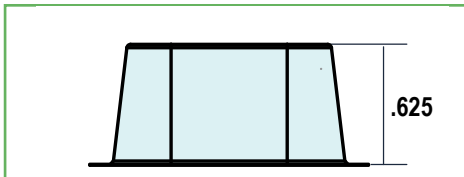
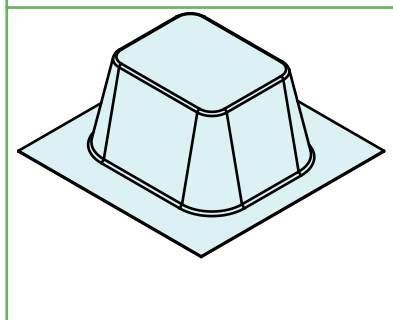
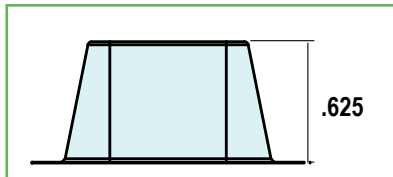


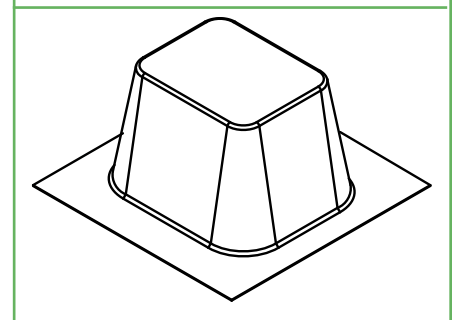
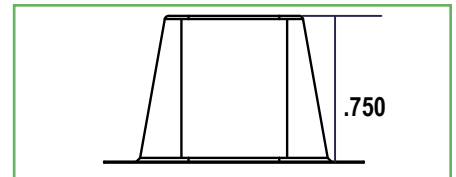
Non-Perforated Packaging: These non-perforated cards serve as a visual reminder of which medications have been taken, making it an excellent tool to help ensure adherence.



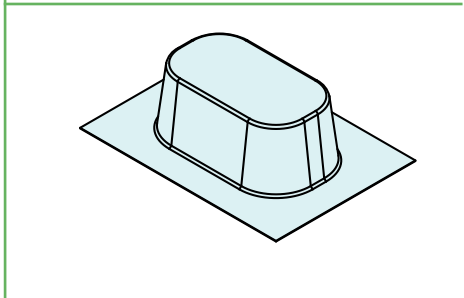
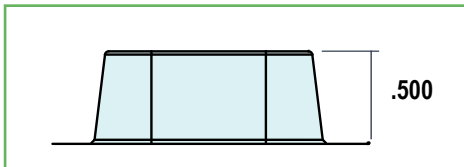
31-Day Tri-Fold



7/28 Day Tri-Fold

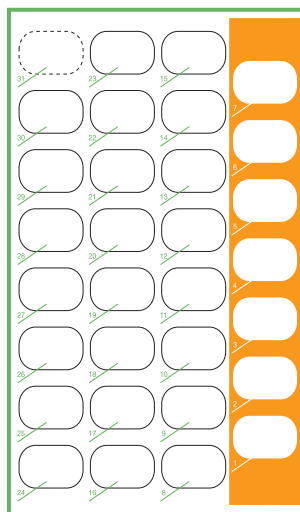
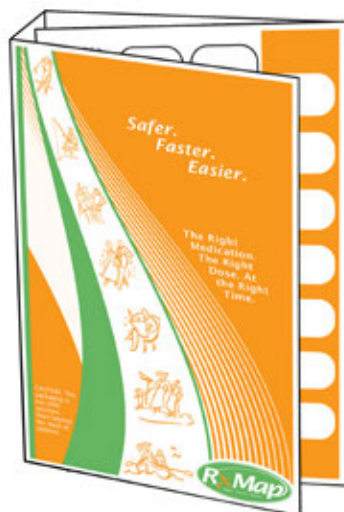


7/28 Day Tri-Fold - Deeper Blister



31-Day Bi-Fold

31-Day Tri-Fold, Heat Seal



Item # 301-10

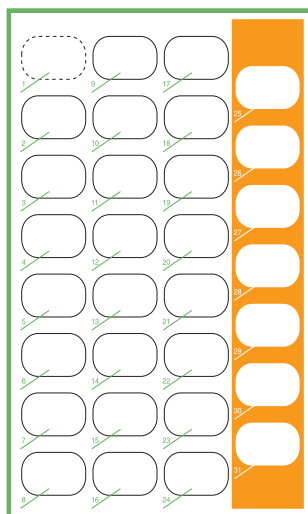
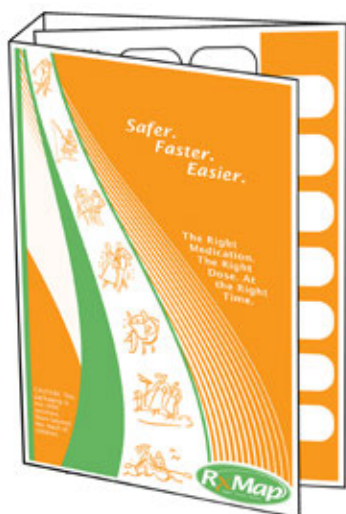
Coordinating Blisters

| Item No. | Description |
|----------|-------------|
| 204-10 | 31-Day |

See blisters above for size



31-Day Tri-Fold, Heat Seal Calendar



Item # 301-11

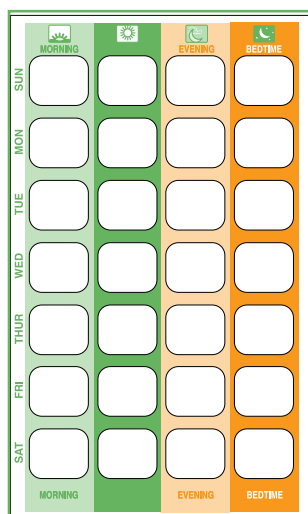
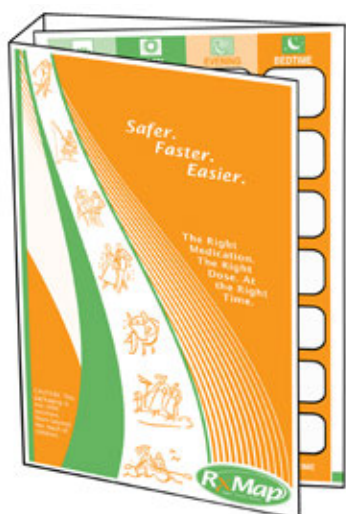
Coordinating Blisters

| Item No. | Description |
|----------|-------------|
| 204-10 | 31-Day |

Refer to page 40 for size



7 x 4 Tri-Fold, Heat Seal



Item # 301-21

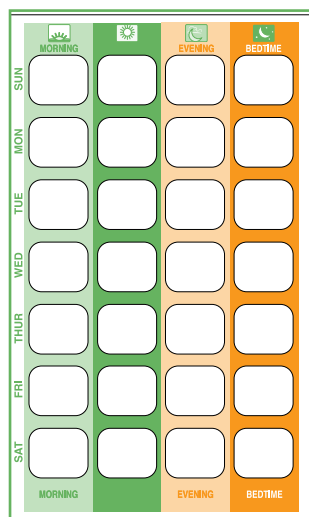
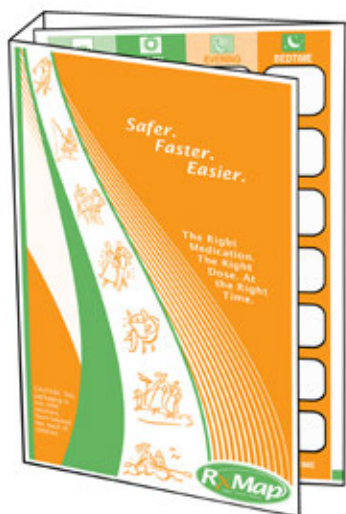
Coordinating Blisters

| Item No. | Description |
|----------|---------------|
| 200-46 | Blister |
| 203-46 | Blister Amber |

Refer to page 40 for size



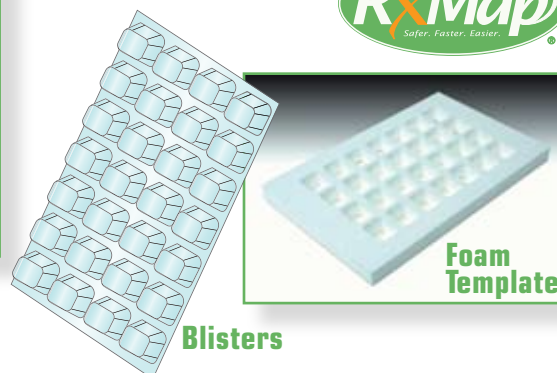
7 x 4 Tri-Fold, Cold Seal



Item # 301-25-Pack

Pack Includes

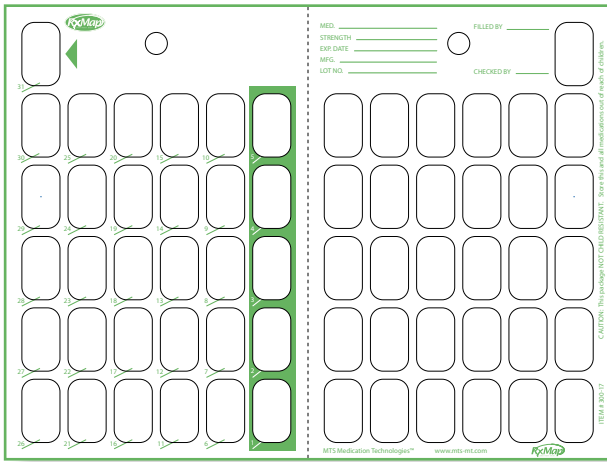
- 250 Cards
- 250 Blisters
- 1 Foam Template



Blisters

Foam Template

31-Day Bi-Fold, Heat Seal



Item #300-17

Coordinating Blisters

| Item No. | Description |
|----------|-------------|
| 200-19 | 31-Day |

Refer to page 40 for size

