

Punch Cards - Heat Seal

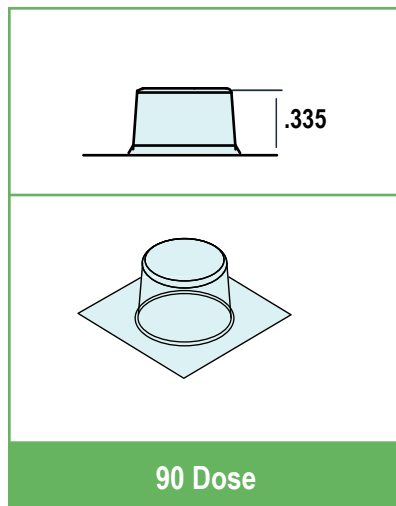
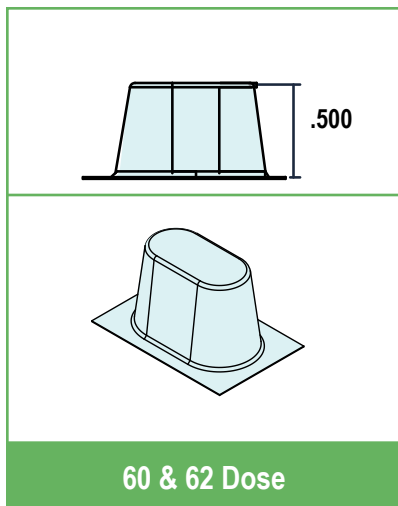
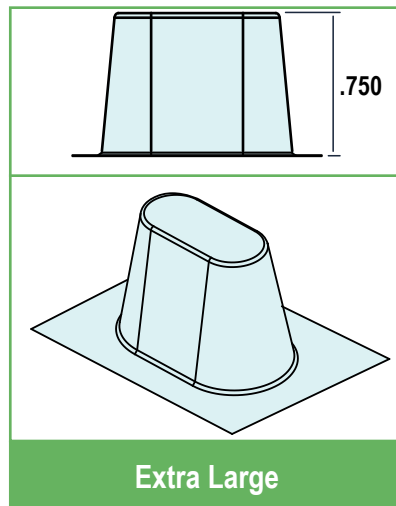
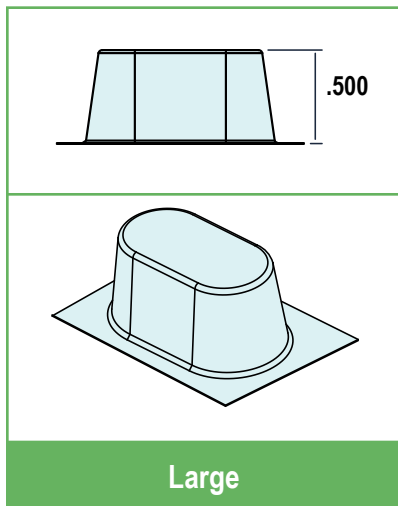
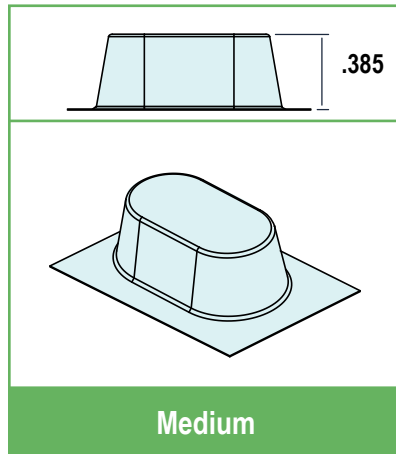
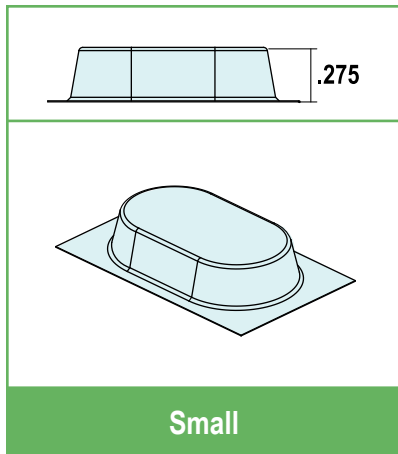


Heat Seal Cards: Made from quality raw materials providing both an attractive appearance and durability.


Heat Seal Cards and Blisters

Heat Seal Blisters.....	4
Standard Heat Seal Cards	6
One-Piece Heat Seal Cards.....	10
Select Seal™ & Med Cards.....	13
Control Cards.....	18
Red Cards.....	19
Trap Door Cards.....	22
Mealtime Cards.....	23
14/15/16 Dose Cards	26
Miscellaneous Cards.....	28

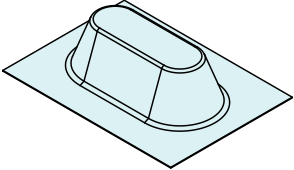
Standard & Amber Blisters




Unit Dose Blisters



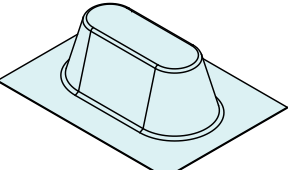
.310



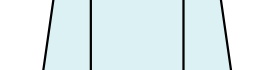
Small



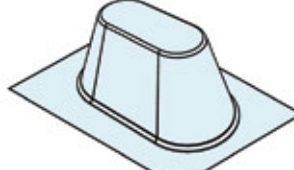
.385



Medium

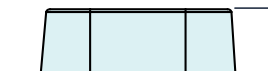
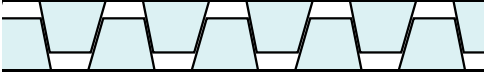


.500

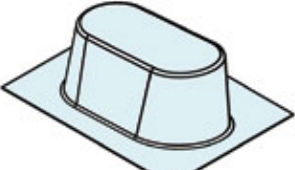


Large

(Designed to nest together to optimize Box, Cart and Shelf space.)



.450

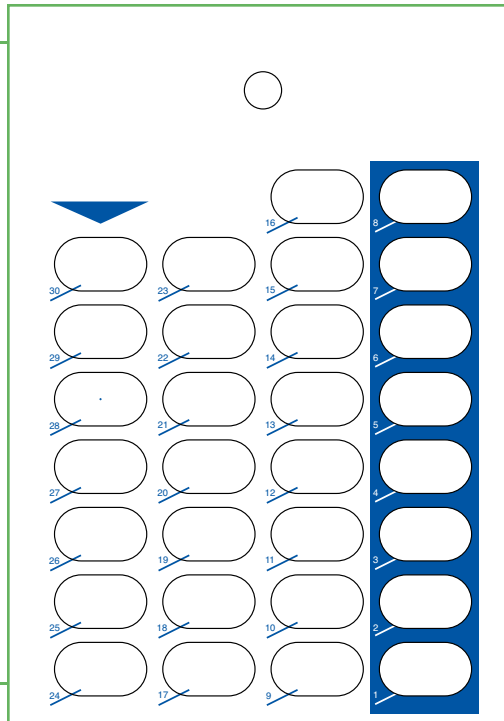


Extra Large

(Does not nest)

Note: Standard Unit Dose Blisters are produced 32 per sheet (4x8). Select sizes are available in 14, 28, 30 and 31 dose.

Standard Heat Seal Cards: MTS manufactures a wide range of punch card systems.



30-Day

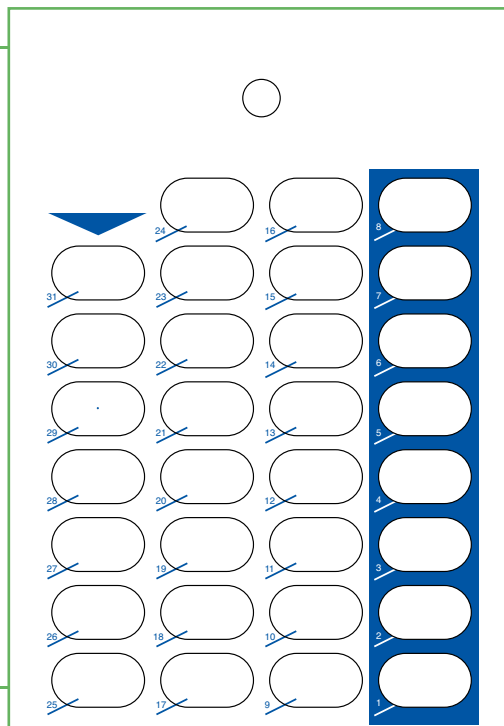
Item # 300-07

Coordinating Blisters - Standard

Item No.	Description
200-27	Small
200-28	Medium (250 Pack Available)
200-30	Large (250 Pack Available)
200-51*	Extra Large
203-29	Small Amber
203-32	Medium Amber
203-34	Large Amber

Refer to page 4 for sizes

*Blister requires special paddle. Not to be used in Gemini.



31-Day

Item # 300-25

Coordinating Blisters - Standard

Item No.	Description
200-31	Small
200-32	Medium (250 Pack Available)
200-34	Large (250 Pack Available)
200-52*	Extra Large
203-30	Small Amber
203-31	Medium Amber
203-33	Large Amber

Refer to page 4 for sizes

*Blister requires special paddle. Not to be used in Gemini.

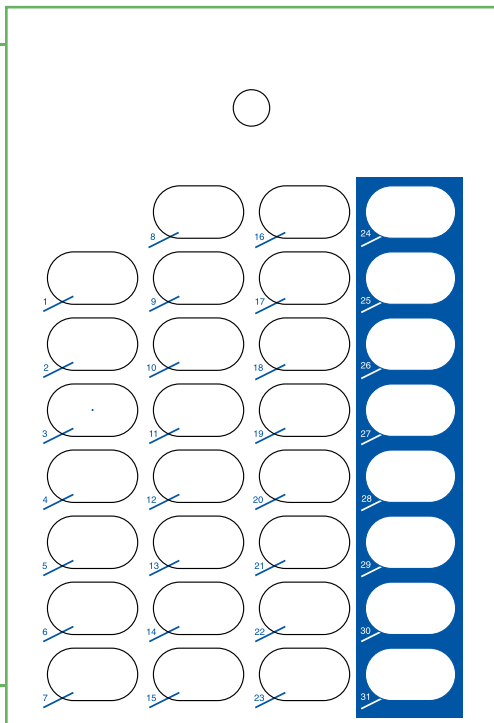
31-Day Calendar Item # 300-16

Coordinating Blisters - Standard

Item No.	Description
200-31	Small
200-32	Medium (250 Pack Available)
200-34	Large (250 Pack Available)
200-52*	Extra Large
203-30	Small Amber
203-31	Medium Amber
203-33	Large Amber

Refer to page 4 for sizes

*Blister requires special paddle. Not to be used in Gemini.

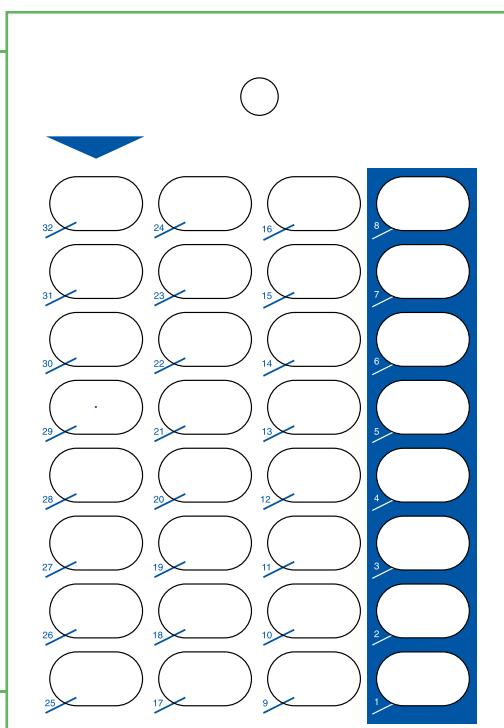


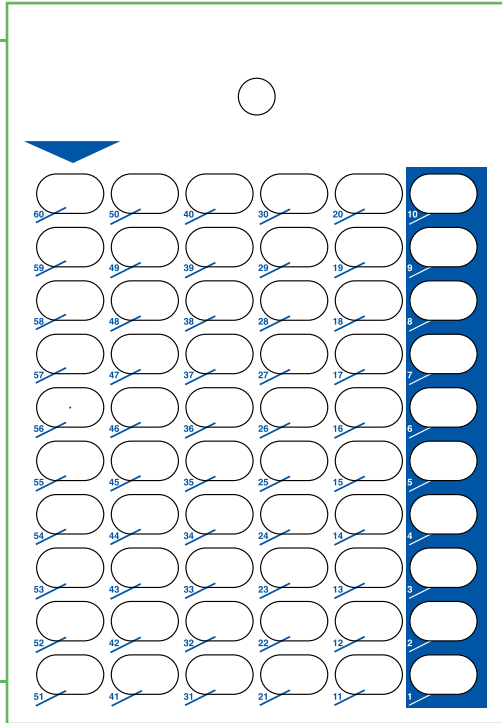
32-Day Calendar Item # 300-12

Coordinating Blisters - Standard

Item No.	Description
200-35	Small
200-36	Medium
200-38	Large

Refer to page 4 for sizes





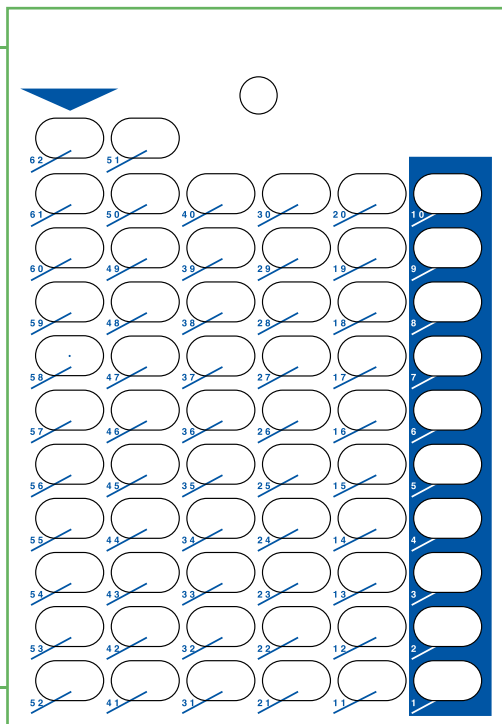
60-Day

Item # 300-09

Coordinating Blisters - Standard

Item No.	Description
200-60	60-Day (250 Pack Available)
203-60	60-Day Amber

Refer to page 4 for sizes



62-Day

Item # 300-27

Coordinating Blisters - Standard

Item No.	Description
200-23	62-Day (250 Pack Available)
203-25	62-Day Amber

Refer to page 4 for sizes

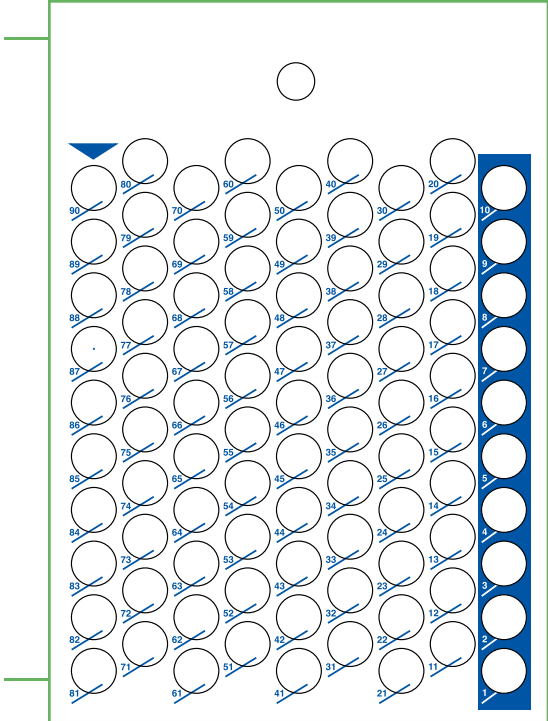
90-Day

Item # 300-11

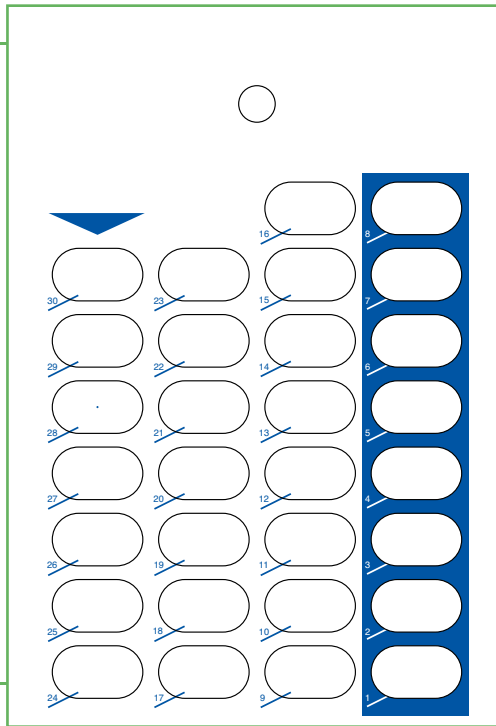
Coordinating Blisters - Standard

Item No.	Description
200-24	90-Day (250 Pack Available)
203-26	90-Day Amber

Refer to page 4 for sizes



One-Piece Cards: A variety of our standard heat seal cards are also available with blisters already adhered to the card.

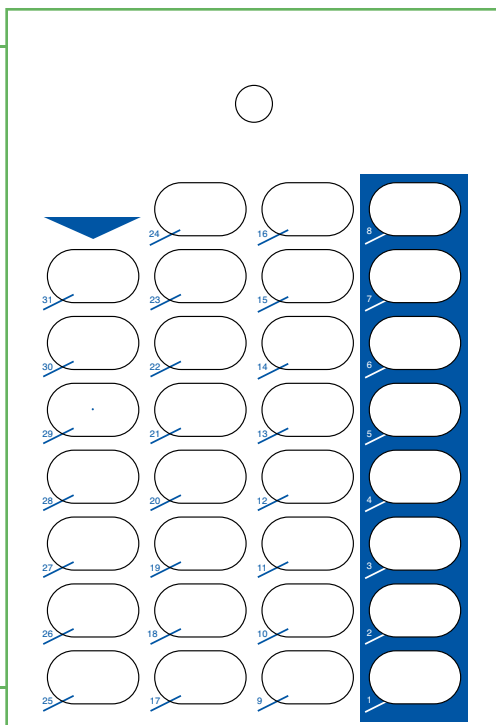


30-Day One-Piece Cards

Choose from these Standard Blisters:

Item No.	Description
300-77-B30M	30-Day, Medium Blister
300-77-B30OV	30-Day, Large Blister
300-77-A30OV	30-Day, Large Amber Blister

Refer to page 4 for sizes

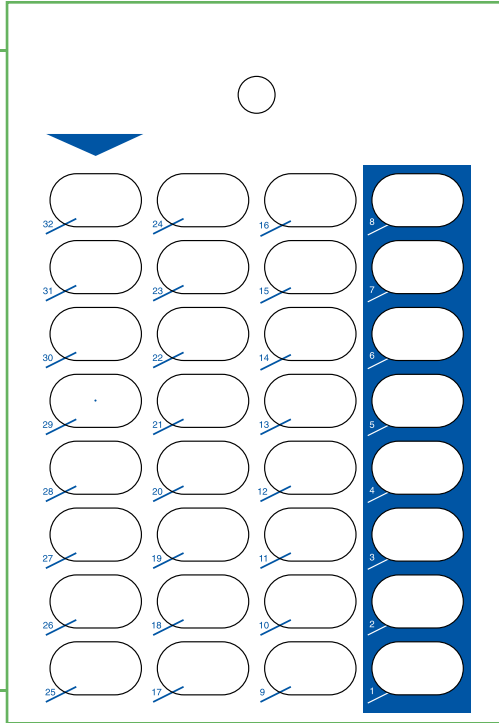


31-Day One-Piece Cards

Choose from these Standard Blisters:

Item No.	Description
300-78-B31S	31-Day, Small Blister
300-78-B31M	31-Day, Medium Blister
300-78-B31OV	31-Day, Large Blister
300-83-B31#1OV	31-Day Calendar, Large Blister
300-78-A31OV	31-Day, Large Amber Blister

Refer to page 4 for sizes

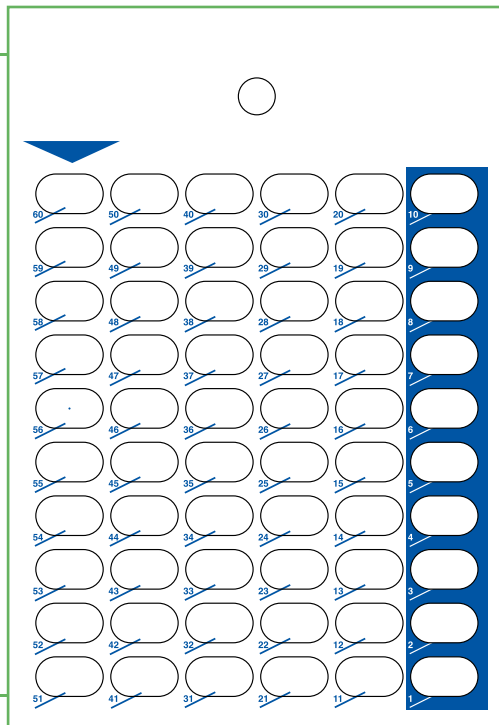


32-Day One-Piece Cards

Choose from these Standard Blisters:

Item No.	Description
300-79-B32OV	32-Day, Large Oval Blister

Refer to page 4 for sizes

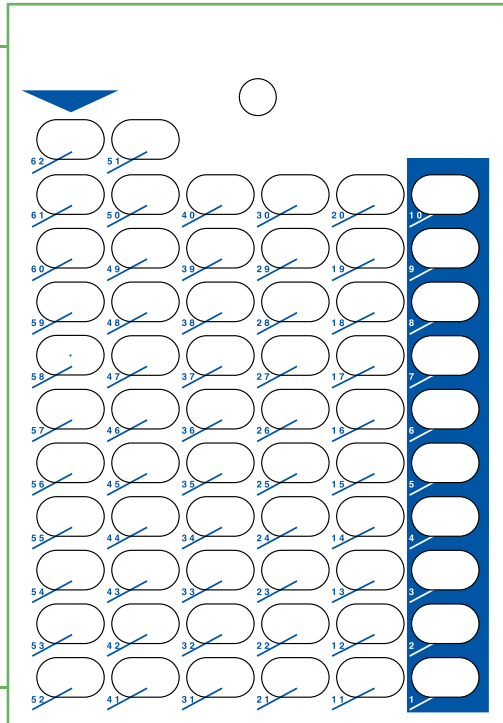


60-Day One-Piece Cards

Choose from these Standard Blisters:

Item No.	Description
300-80-B60	60-Day, Blister

Refer to page 4 for sizes

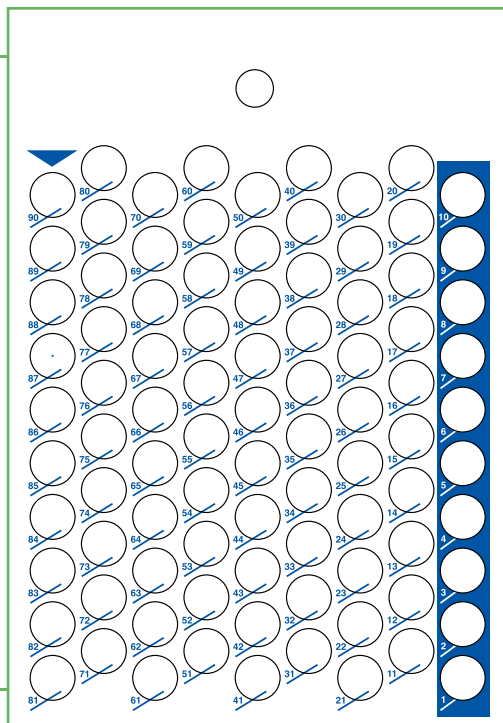


62-Day One-Piece Cards

Choose from these Standard Blisters:

Item No.	Description
300-81-B62	62-Day, Blister

Refer to page 4 for sizes



90-Day One-Piece Cards

Choose from these Standard Blisters:

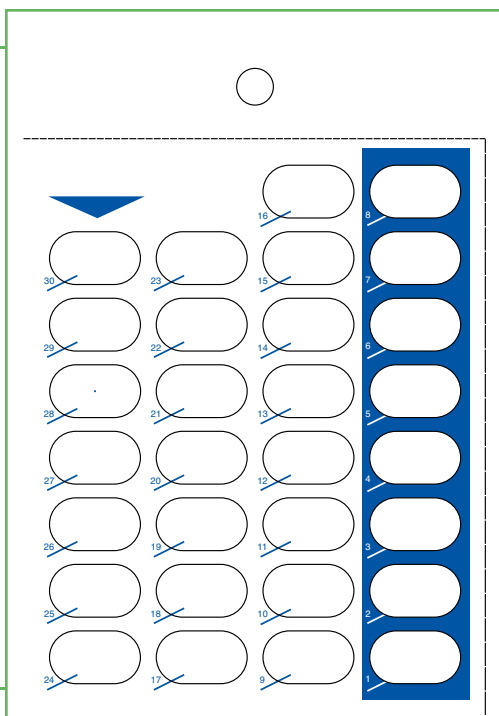
Item No.	Description
300-82-B90	90-Day, Blister

Refer to page 4 for sizes

Select Seal™ Cards: Designed with a special select seal adhesive and a perforated card for the recovery of unused medications without damaging the blister or printed foil.

Med Cards: Provides a permanent seal to the unit dose foil and blister. Used when there are a number of individual doses that have been returned and require repackaging.

Unit Dose Blisters: Blisters are perforated and can be separated into strips or individual unit dose. They are designed to nest and can be stacked on top of one another for maximum storage capacity.



30-Day

Item # 300-13

Select Seal

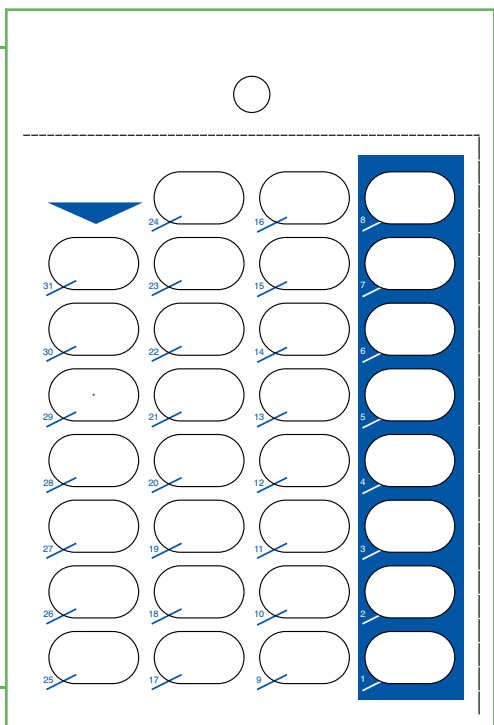
Coordinating Blisters - Unit Dose

Item No.	Description
201-10	Small
201-11	Medium
201-13	Large
203-16	Large Amber
Standard Unit Blisters - 32 per sheet (4x8)	
201-13XL	Extra Large (Does not nest)

Refer to page 5 for sizes

Foil sold separately. See pages 74-76.

Note: Standard Unit Dose Blisters are produced 32 per sheet (4x8). Select sizes are available in 14, 28, 30 and 31 dose.



31-Day

Item # 300-14

Select Seal

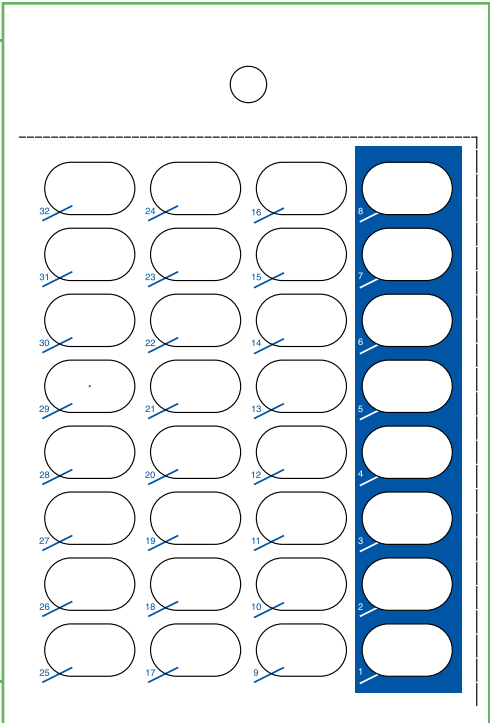
Coordinating Blisters - Unit Dose

Item No.	Description
201-10	Small
201-11	Medium
201-13	Large
203-16	Large Amber
Standard Unit Blisters - 32 per sheet (4x8)	
201-13XL	Extra Large (Does not nest)

Refer to page 5 for sizes

Foil sold separately. See pages 74-76.

Note: Standard Unit Dose Blisters are produced 32 per sheet (4x8). Select sizes are available in 14, 28, 30 and 31 dose.



32-Day

Item # 300-15

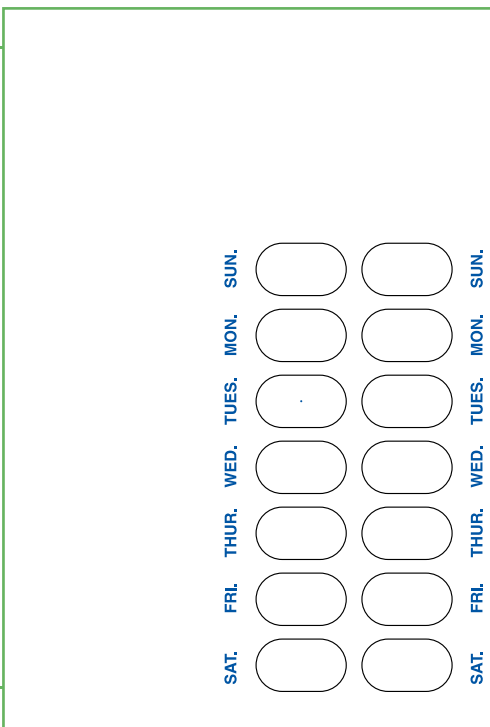
Select Seal

Coordinating Blisters - Unit Dose

Item No.	Description
201-10	Small
201-11	Medium
201-13	Large
203-16	Large Amber
Standard Unit Blisters - 32 per sheet (4x8)	
201-13XL	Extra Large (Does not nest)

Refer to page 5 for sizes

Foil sold separately. See pages 74-76.



7-Day/14-Day

Item # 300-32

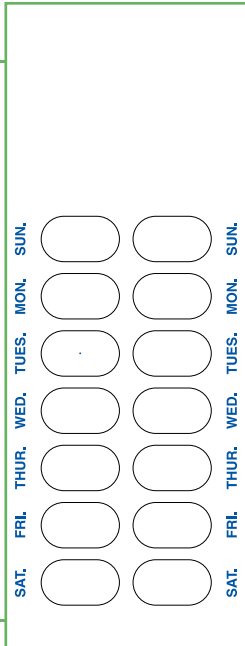
Select Seal

Coordinating Blisters - Unit Dose

Item No.	Description
201-05	Large - 14 Count

Refer to page 5 for sizes

Foil sold separately. See pages 74-76.



7-Day/14-Day

Item # 300-33

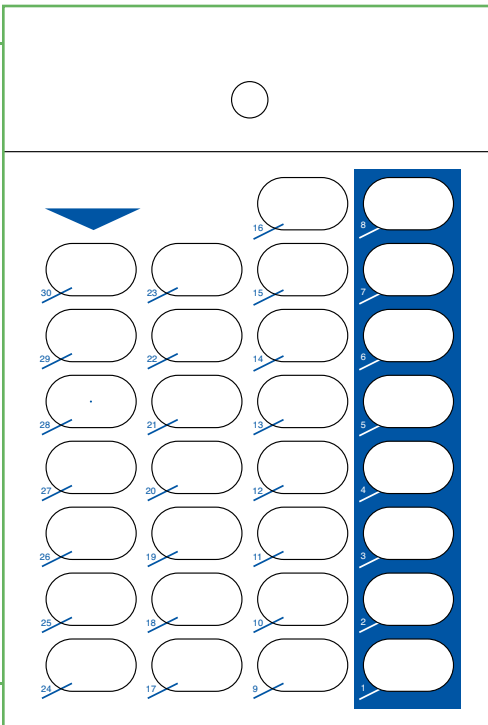
Select Seal

Coordinating Blisters - Unit Dose

Item No.	Description
201-05	Large - 14 Count

Refer to page 5 for sizes

Foil sold separately. See pages 74-76.



30-Day

Item # 300-73

Med Card

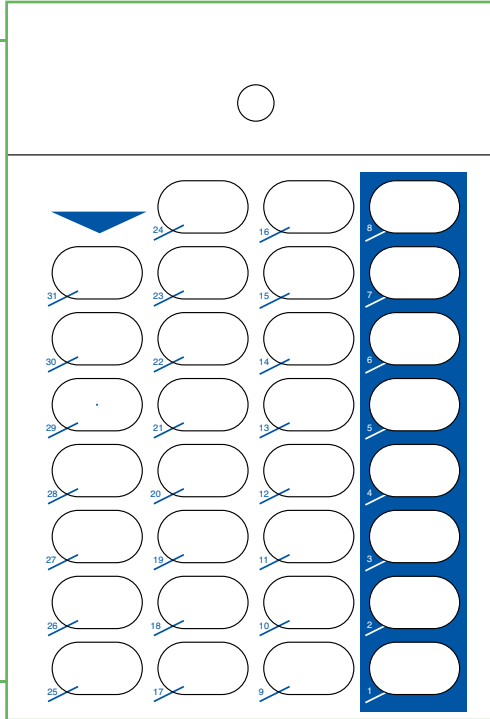
Coordinating Blisters - Unit Dose

Item No.	Description
201-10	Small *
201-11	Medium *
201-13	Large *
203-16	Large Amber
Standard U/D Blisters - 32 per sheet (4x8)	
201-13XL	Extra Large (Does not nest)

Refer to page 5 for sizes

Foil sold separately. See pages 74-76.

*Available in 30 count.



31-Day **Item # 300-70**

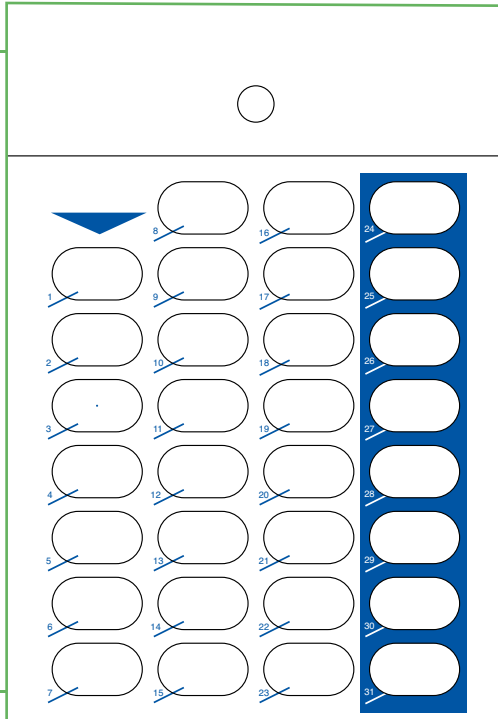
Med Card

Coordinating Blisters - Unit Dose

Item No.	Description
201-10	Small
201-11	Medium
201-13	Large *
203-16	Large Amber
Standard Unit Blisters - 32 per sheet (4x8)	
201-13XL	Extra Large (Does not nest)

Refer to page 5 for sizes

Foil sold separately. See pages 74-76.
*Available in 31 count.



31-Day **Item # 300-71**

Med Card - Calendar

Coordinating Blisters - Unit Dose

Item No.	Description
201-10	Small
201-11	Medium
201-13	Large *
203-16	Large Amber
Standard Unit Blisters - 32 per sheet (4x8)	
201-13XL	Extra Large (Does not nest)

Refer to page 5 for sizes

Foil sold separately. See pages 74-76.
*Available in 31 count.

32-Day

Item # 300-72

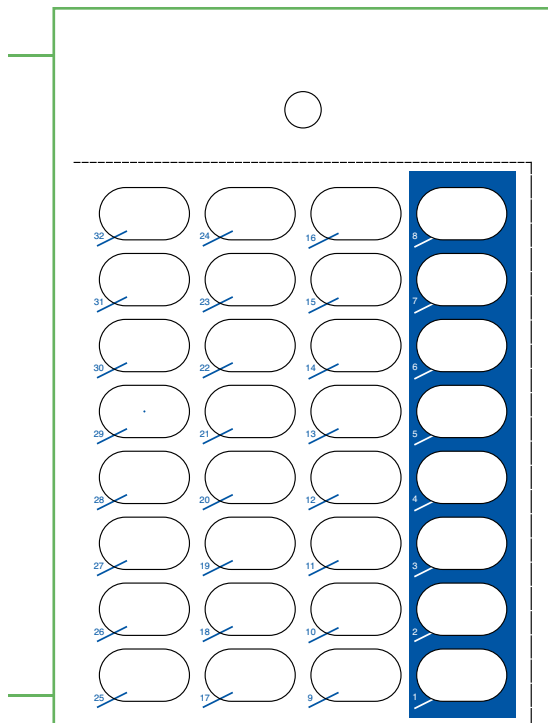
Med Card

Coordinating Blisters - Unit Dose

Item No.	Description
201-10	Small
201-11	Medium
201-13	Large
203-16	Large Amber
Standard Unit Dose Blisters - 32 per sheet (4x8)	
201-13XL	Extra Large (Does not nest)

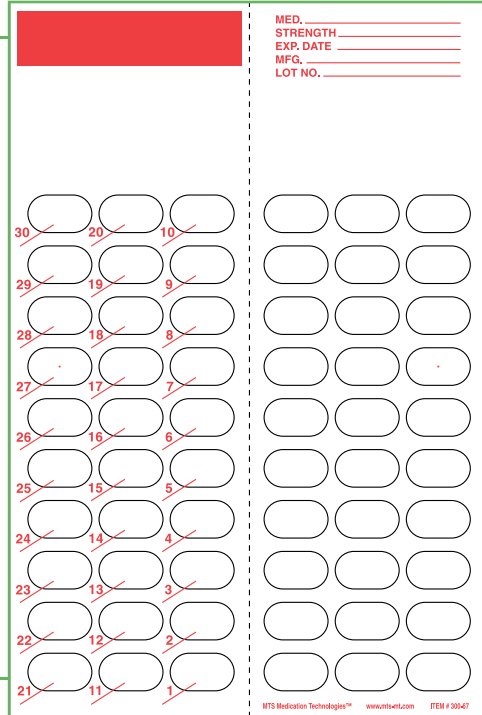
Refer to page 5 for sizes

Foil sold separately. See pages 74-76.



Punch Cards - Heat Seal

Control Cards: Specifically designed for the identification of controlled drugs. The smaller size and red color help differentiate it from other punch cards. The card provides easy identification, and when sealed with MTS packaging equipment, provides a consistent, durable seal.



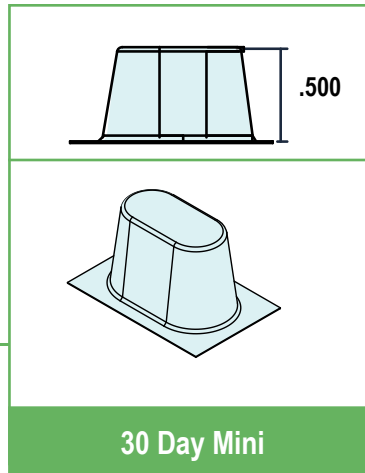
30-Day Mini

Item # 300-67

Coordinating Blisters (same dimensions as 60/62 blisters)

Item No.	Description
200-22	30 Mini
200-21	30 Mini Amber

Finished Card Size - 9" x 3"



15-Day Mini

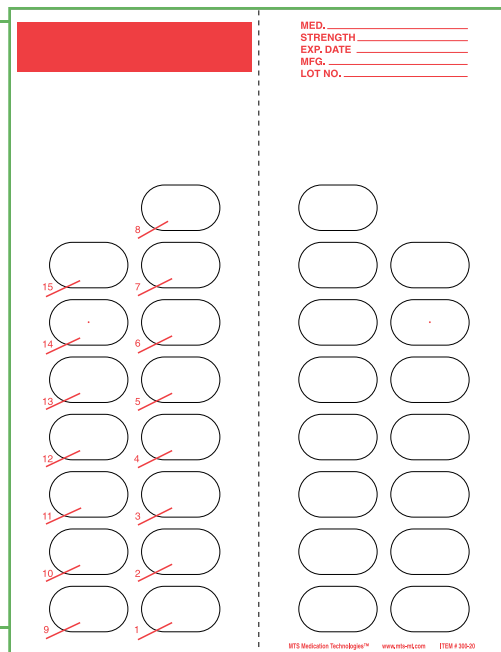
Item # 300-20

Coordinating Blisters - Unit Dose

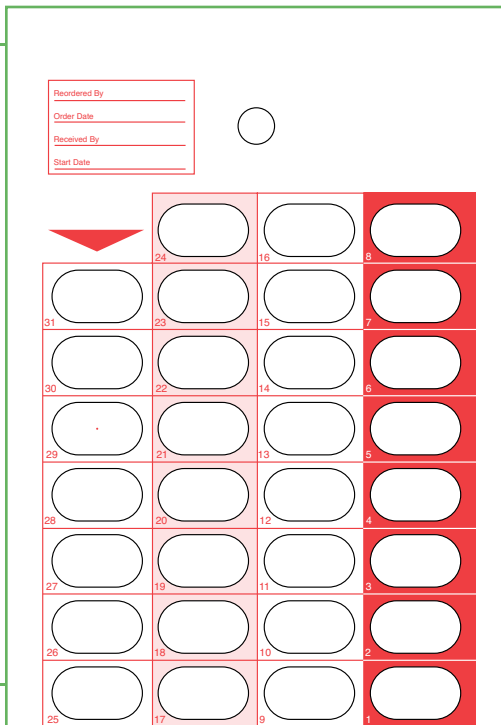
Item No.	Description
201-10	Small
201-11	Medium
201-13	Large
203-16	Large Amber
201-13XL	Extra Large (Does not nest)

Refer to page 5 for sizes

Finished Card Size - 9" x 3-7/16"



Red Cards: MTS manufactures a range of Red Standard Cards as well as Red Narrow Cards. Our narrow cards are 5-5/8" in width. Standard width is 6". These cards accommodate different med cart styles and come in 31, 62 & 90 day formats.



31-Day

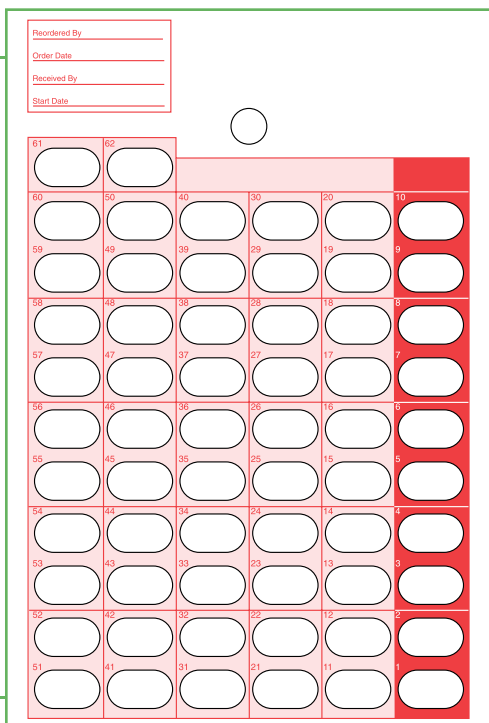
Item # 302-15

Coordinating Blisters - Standard

Item No.	Description
200-31	Small
200-32	Medium (250 Pack Available)
200-34	Large (250 Pack Available)
200-52*	Extra Large
203-30	Small Amber
203-31	Medium Amber
203-33	Large Amber

Refer to page 4 for sizes

*Blister requires special paddle. Not to be used in Gemini.



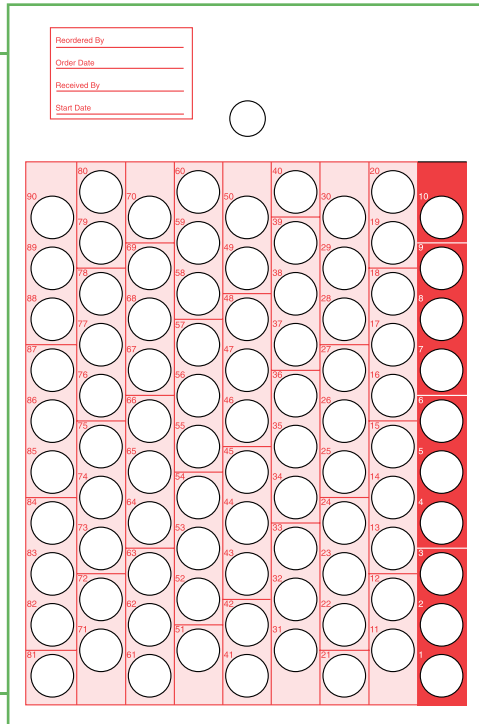
62-Day

Item # 302-11

Coordinating Blisters - Standard

Item No.	Description
200-23	62-Day (250 Pack Available)
203-25	62-Day, Amber

Refer to page 4 for sizes



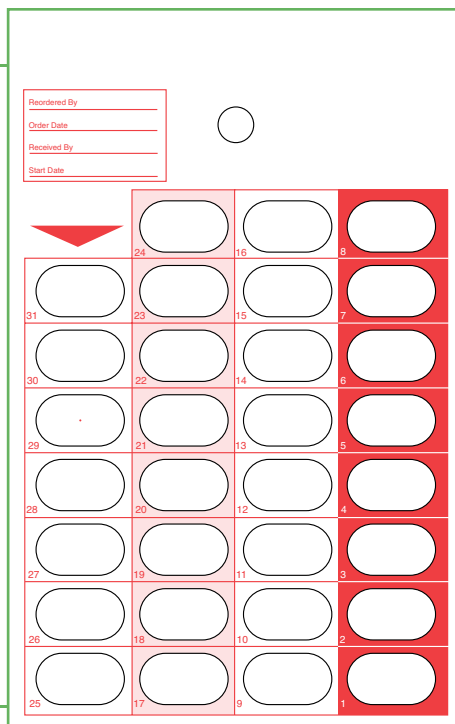
90-Day

Item # 302-12

Coordinating Blisters - Standard

Item No.	Description
200-24	90-Day (250 Pack Available)
203-26	90-Day, Amber

Refer to page 4 for sizes



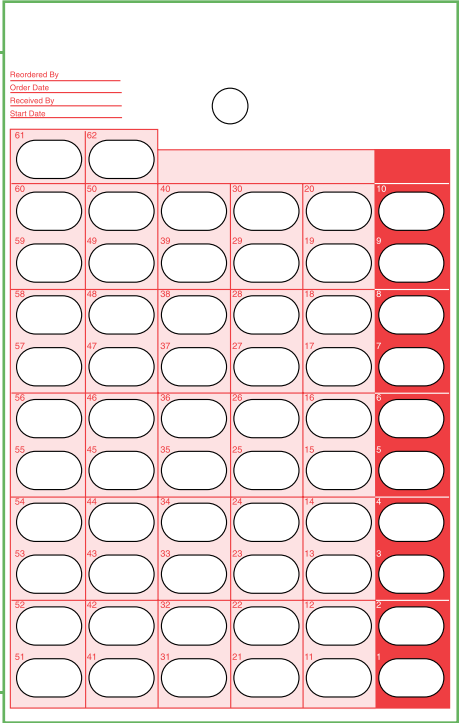
31-Day Narrow Item # 302-14

Coordinating Blisters - Standard

Item No.	Description
200-31	Small
200-32	Medium (250 Pack Available)
200-34	Large (250 Pack Available)
200-52*	Extra Large
203-30	Small Amber
203-31	Medium Amber
203-33	Large Amber

Refer to page 4 for sizes

*Blister requires special paddle. Not to be used in Gemini.



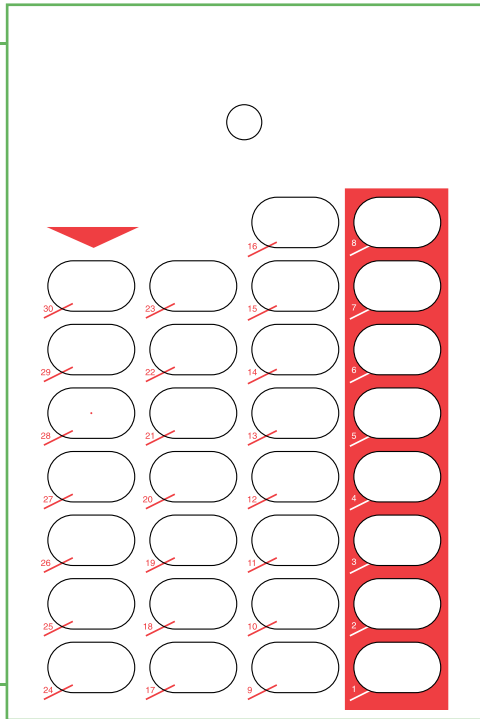
62-Day Narrow Item #302-03

Coordinating Blisters - Standard

Item No.	Description
200-23	62-Day (250 Pack Available)
203-25	62-Day, Amber

Refer to page 4 for sizes

Trap Door Cards: Provides an extra layer of cardboard over the foil to ensure an added level of tamper evidence.



30-Dose

Item # 300-61

Coordinating Blisters - Standard

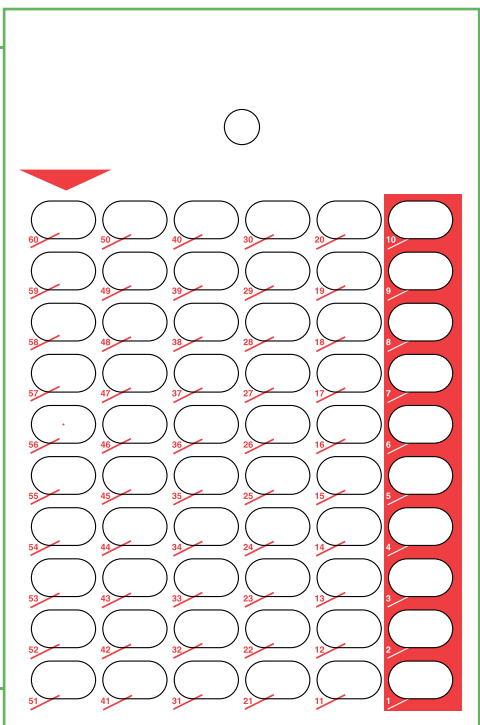
Item No.	Description
200-27	Small
200-28	Medium (250 Pack Available)
200-30	Large (250 Pack Available)
200-51*	Extra Large
203-29	Small Amber
203-32	Medium Amber
203-34	Large Amber

Refer to page 4 for sizes

*Blister requires special paddle. Not to be used in Gemini.



(Back View)



60-Dose

Item # 300-63

Coordinating Blisters - Standard

Item No.	Description
200-60	60-Day (250 Pack Available)
203-60	60-Day, Amber

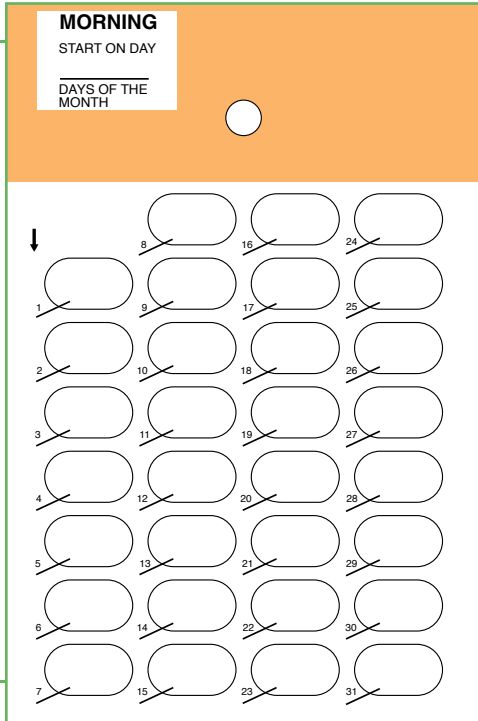
Refer to page 4 for sizes



(Back View)



Mealtime Cards: 31-Day calendar mealtime cards are available in various colors to visually identify morning, afternoon, evening and bedtime medication passes. A white PRN card is also available.



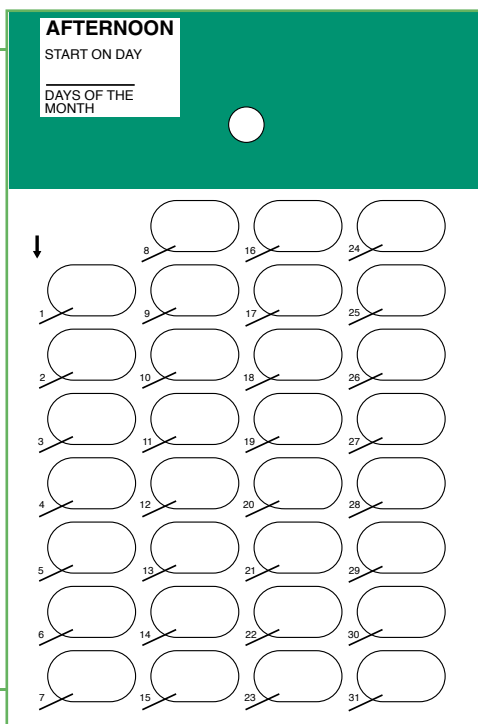
31-Day Morning Item # 300-43

Coordinating Blisters - Standard

Item No.	Description
200-31	Small
200-32	Medium (250 Pack Available)
200-34	Large (250 Pack Available)
200-52*	Extra Large
203-30	Small Amber
203-31	Medium Amber
203-33	Large Amber

Refer to page 4 for sizes

*Blister requires special paddle. Not to be used in Gemini.



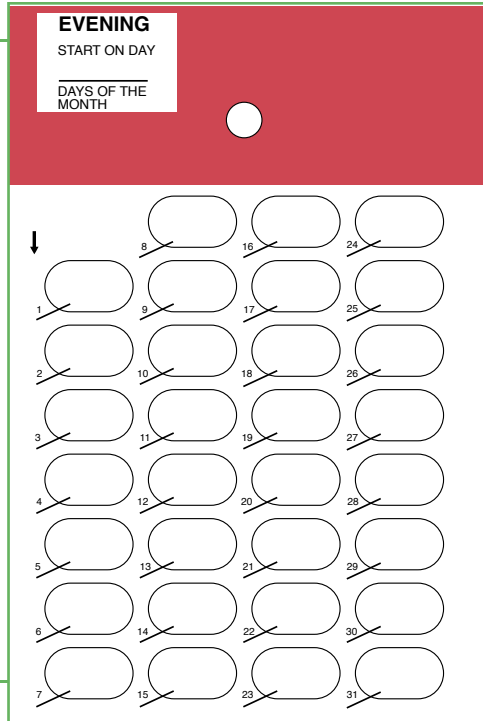
31-Day Afternoon Item # 300-44

Coordinating Blisters - Standard

Item No.	Description
200-31	Small
200-32	Medium (250 Pack Available)
200-34	Large (250 Pack Available)
200-52*	Extra Large
203-30	Small Amber
203-31	Medium Amber
203-33	Large Amber

Refer to page 4 for sizes

*Blister requires special paddle. Not to be used in Gemini.



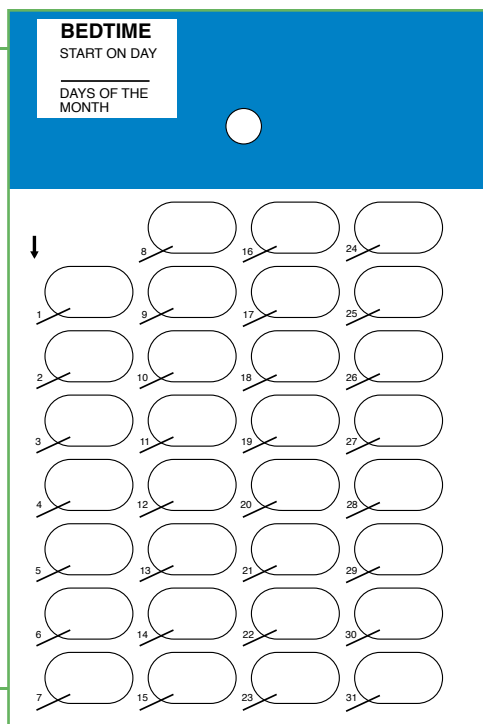
31-Day Evening Item # 300-45

Coordinating Blisters - Standard

Item No.	Description
200-31	Small
200-32	Medium (250 Pack Available)
200-34	Large (250 Pack Available)
200-52*	Extra Large
203-30	Small Amber
203-31	Medium Amber
203-33	Large Amber

Refer to page 4 for sizes

*Blister requires special paddle. Not to be used in Gemini.



31-Day Bedtime Item # 300-46

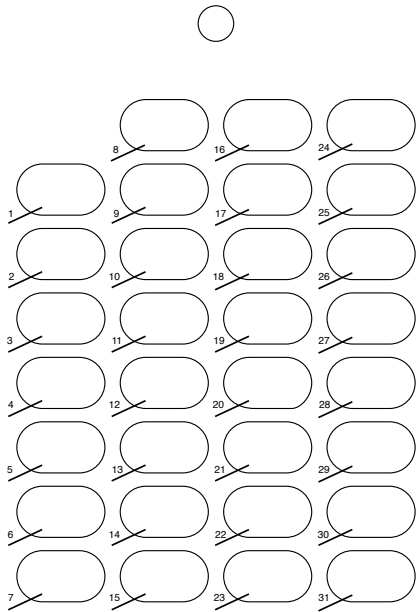
Coordinating Blisters - Standard

Item No.	Description
200-31	Small
200-32	Medium (250 Pack Available)
200-34	Large (250 Pack Available)
200-52*	Extra Large
203-30	Small Amber
203-31	Medium Amber
203-33	Large Amber

Refer to page 4 for sizes

*Blister requires special paddle. Not to be used in Gemini.

PRN



31-Day PRN

Item # 300-47

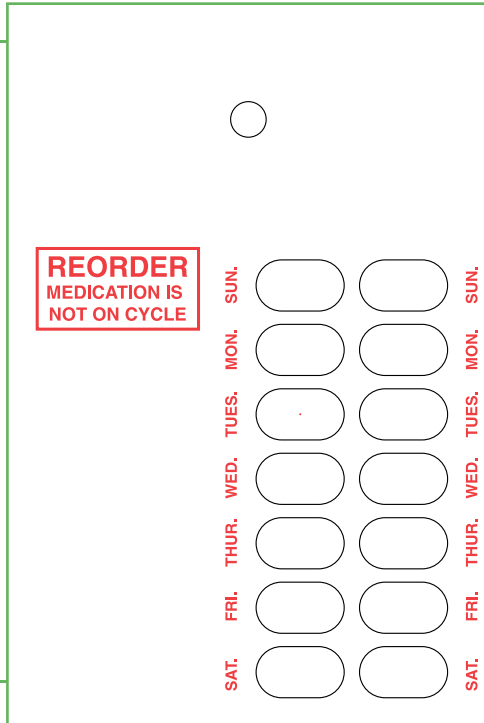
Coordinating Blisters - Standard

Item No.	Description
200-31	Small
200-32	Medium (250 Pack Available)
200-34	Large (250 Pack Available)
200-52*	Extra Large
203-30	Small Amber
203-31	Medium Amber
203-33	Large Amber

Refer to page 4 for sizes

*Blisters require special paddle. Not to be used in Gemini.

14/15/16 Dose Cards: MTS offers a variety of reduced cycle punch cards. 14-Day cards are available in both 9" x 3", as well as 9" x 6" formats.

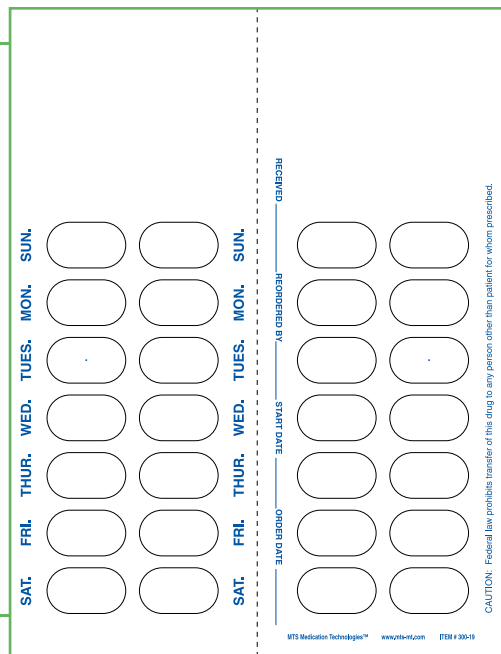


14-Day Red Item # 300-18

Coordinating Blisters - Unit Dose

Item No.	Description
201-05	Large 14-Day

Refer to page 5 for sizes



14-Day Blue Item # 300-19

Coordinating Blisters - Unit Dose

Item No.	Description
201-05	Large 14-Day

Refer to page 5 for sizes

15-Day

Item #300-36

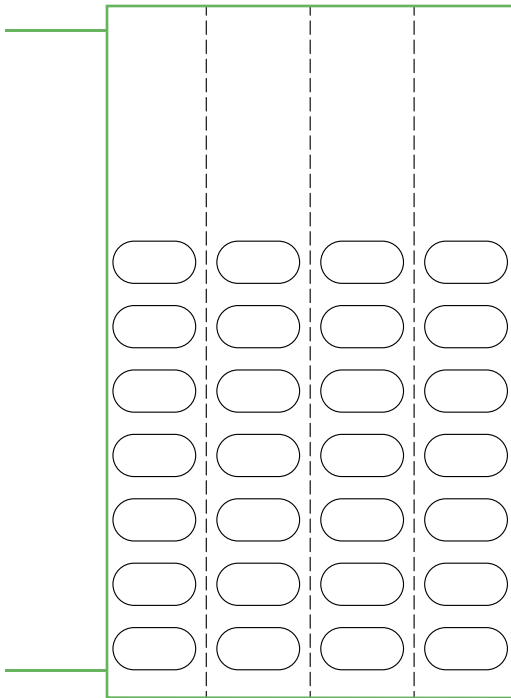
Coordinating Blisters - Unit Dose

Item No.	Description
201-10	Small
201-11	Medium
201-13	Large
203-16	Large Amber
201-13XL	Extra Large (Does not nest)

Refer to page 5 for sizes

Additional short-cycle dispensing product coming soon. Contact your MTS sales representative to learn more about short-cycle solutions.

Miscellaneous Cards: MTS offers a variety of specialty cards and systems to fit your needs.



Med Cycle 7 Item # 300-68

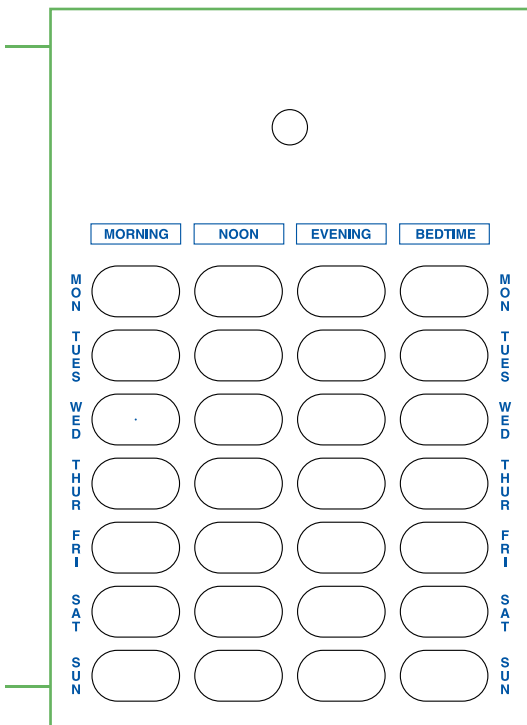
Coordinating Blisters - Unit Dose

Item No.	Description
201-09	28-Day Large

Refer to page 5 for sizes

Coordinating Cassette

Item No.	Description
UD-261	Med Cycle 7 Cassette



7-Day/28-Dose Item # 300-37

Coordinating Blisters - Standard

Item No.	Description
200-15	Small
200-16	Medium
200-18	Large
200-50*	Extra Large
203-16	Large Amber (Perforated)

Refer to page 4 & 5 for sizes

*Blister requires special paddle. Not to be used in Gemini.

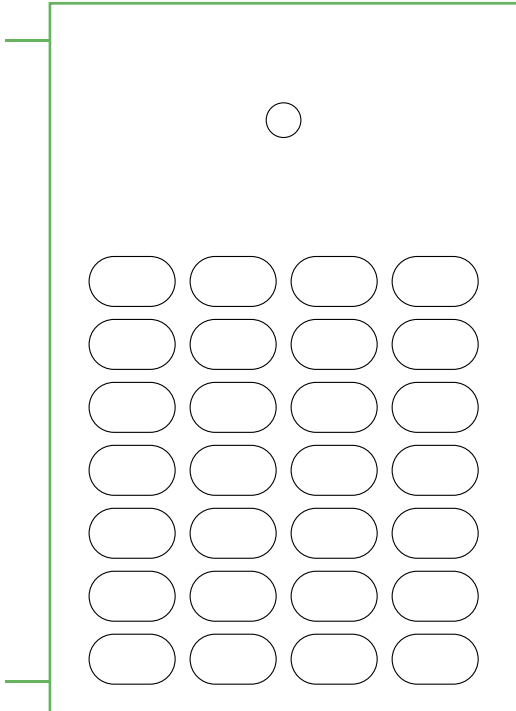
28-Day Blank Item #300-38

Coordinating Blisters - Standard

Item No.	Description
200-15	Small
200-16	Medium
200-18	Large
200-50*	Extra Large
203-16	Large Amber (Perforated)

Refer to page 4 & 5 for sizes

*Blister requires special paddle. Not to be used in Gemini.



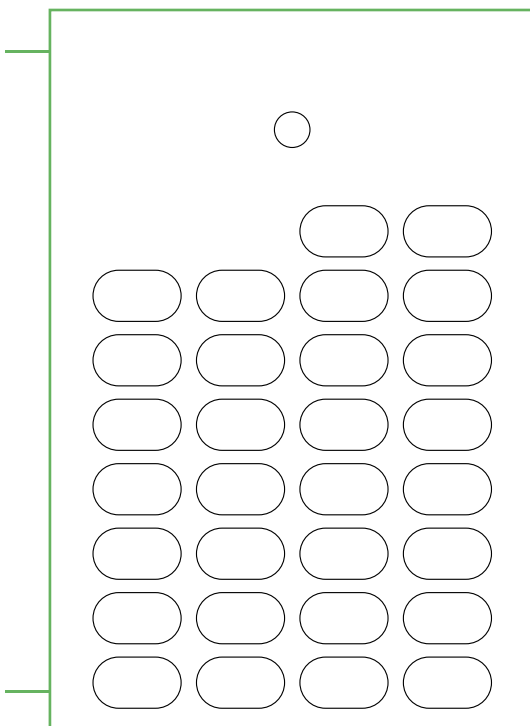
30-Day Blank Item #300-28

Coordinating Blisters - Standard

Item No.	Description
200-27	Small
200-28	Medium (250 Pack Available)
200-30	Large (250 Pack Available)
200-51*	Extra Large
203-29	Small Amber
203-32	Medium Amber
203-34	Large Amber

Refer to page 4 for sizes

*Blister requires special paddle. Not to be used in Gemini.





Item # 670-01
Product Inventory Card



Item # 670-06
Patient Divider Card



Item # 671-04
Locator Card